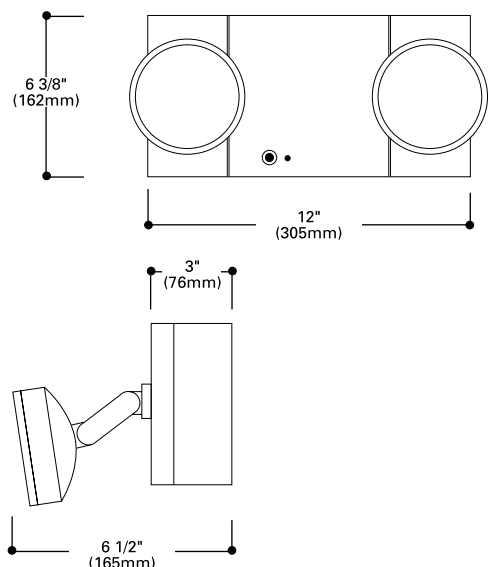


DIMENSIONS



DESCRIPTION

The CB6 High Series has big power that fits in small places. The large PAR36 type lighting heads are front-mounted, so the unit can be placed up at the ceiling. Your choice of 2 or 3 adjustable lighting heads with halogen lamps. Available options make the CB6 High a very complete emergency light unit that fits in very little space.



CB6High

Steel
Emergency Unit
Incandescent Lamps

EMERGENCY LIGHTING

ORDERING INFORMATION

Catalog No.	Capacity in Watts (Hours)				DC Voltage	Lamp Type	Number of Lighting Heads
	1.5	2	3	4			
CB6	27	24	18	14	6	Incandescent	2
CB6-54	54	36	27	18	6	Incandescent	2
CB6-54-3	54	36	27	18	6	Incandescent	3

⁽¹⁾ CB6-54-3 has three lighting heads—the center lighting head has a 12-watt lamp that will cover an area directly below the unit while the two other lamps of 20-watt Halogen will cover a broad area to the sides of the unit.

OPTIONS: Add to Catalog No.

Description	Code
Voltmeter ⁽²⁾	V
Ammeter ⁽²⁾	A
Time Delay	TD
Laser Option Installed	L*
Laser Option installed with pointer supplied	LP*
12 Volt Operation	12
Diagnostic Option	CA6

⁽²⁾ Units may **not** be equipped with a voltmeter and ammeter at the same time.

* See page 40 for time-delay selection.

Note: N.Y.B.S.A. Calendar (approval) #34013

HALOGEN LAMP OPTIONS:

Unit	Watt Lamp only	Replacement Lamp no.
6 Volt (all units)	54	6 HB 12
6 Volt (all units)	54	6 HB 20

- Dual 120/277 VAC 60Hz input
- Line latching, solid state voltage regulated charger, low voltage disconnect, brownout circuit, short circuit and reverse polarity protection, test switch/power indicator light
- Sturdy, impact-resistant steel housing
- Universal mounting knockout pattern
- PAR36 type halogen heads with glare-free lens and fully adjustable lamp housing available
- Sealed maintenance-free long life lead calcium battery
- Complies with UL 924, Life Safety NFPA 101, CSA certified, NEC/OSHA, most state and local codes
- Local 3 IBEW
- Standard white powder coat finish, available in black